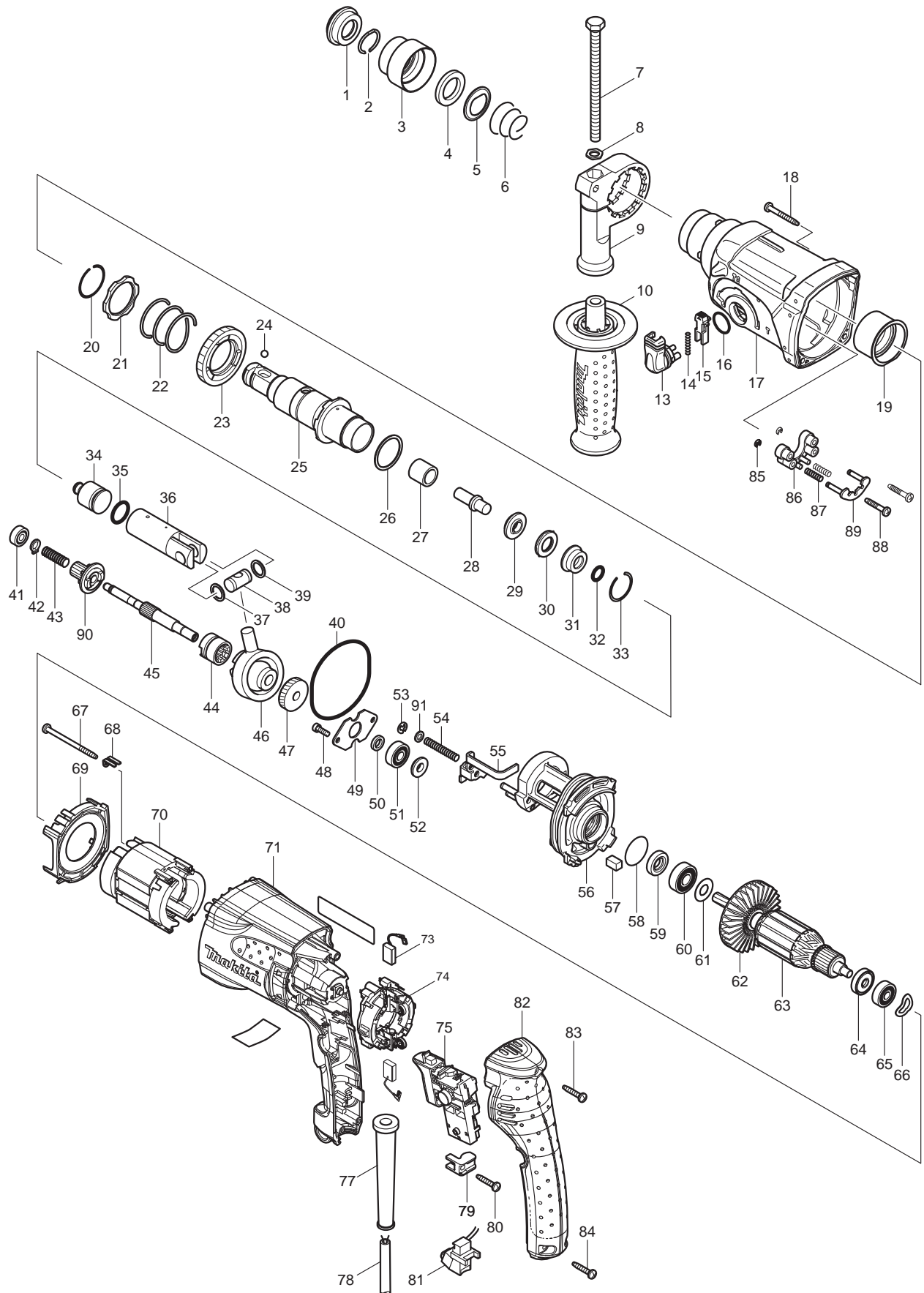




11 - 2010

HR2470F

SDS - PLUS 15/16" ROTARY HAMMER



Item No	Type	Ref	Part No	Description	Qty	Unit
001			286263-4	CAP 35	1	PC.
002			233940-9	RING SPRING 19	1	PC.
003			417629-9	CHUCK COVER	1	PC.
004			257241-1	RING 21	1	PC.
005			345187-4	GUIDE WASHER	1	PC.
006			233916-6	CONICAL COMP. SPRING 21-29	1	PC.
007			921923-8	HEX. BOLT M8X120	1	PC.
008			345280-4	HEX. WASHER	1	PC.
009			417630-4	GRIP BASE	1	PC.
010			158057-6	GRIP 36 COMPLETE	1	PC.
		INC.	931402-8	HEX. NUT M8	1	PC.
013			162245-9	CHANGE LEVER	1	PC.
014			233459-8	COMPRESSION SPRING 3	1	PC.
015			419192-8	LOCK BUTTON	1	PC.
016			213278-8	O RING 17	1	PC.
017			158216-2	GEAR HOUSING COMPLETE	1	PC.
	1	INC.	213965-9	OIL SEAL 25 (TYPE1)	1	PC.
	2	INC.	213345-9	OIL SEAL 25 (TYPE2)	1	PC.
018			266351-3	TAPPING SCREW 4X35	4	PC.
019			153290-5	NEEDLE BEARING COMPLETE	1	PC.
020			233929-7	RING SPRING 29	1	PC.
021	2		267460-1	WASHER 31	1	PC.
022			233401-9	COMPRESSION SPRING 32	1	PC.
023			227109-5	SPUR GEAR 51	1	PC.
024			216022-2	STEEL BALL 7.0	1	PC.
025			158574-6	TOOL HOLDER COMPLETE	1	PC.
026			267229-3	FLAT WASHER 28	1	PC.
027			331769-8	SLEEVE 9	1	PC.
028			324669-9	IMPACT BOLT	1	PC.
029			324402-9	RING 10	1	PC.
030			421955-0	CUSHION RING 13	1	PC.
031			324216-6	O RING CASE	1	PC.
032			213073-6	O RING 9	1	PC.
033			233917-4	RING SPRING 28	1	PC.
034			324733-6	STRIKER	1	PC.
035			213227-5	O RING 16	1	PC.
036			318132-2	PISTON CYLINDER	1	PC.
037			267104-3	FLAT WASHER 12	1	PC.
038			324215-8	PISTON JOINT	1	PC.
039			267104-3	FLAT WASHER 12	1	PC.
040			213727-5	O-RING 63	1	PC.
041	2		210028-2	BALL BEARING 606ZZ	1	PC.
042			961003-8	RETAINING RING S-7	1	PC.
043			233343-7	COMPRESSION SPRING 7	1	PC.
044	2		331992-5	CLUTCH CAM (OLD# 331768-0 - N/L/A)	1	PC.
045			324668-1	CAM SHAFT	1	PC.
046			219014-0	SWASH BEARING 10	1	PC.
047			226656-3	HELICAL GEAR 26	1	PC.
048			266273-7	HEX. SOCKET HEAD BOLT M4X12	2	PC.
049			345179-3	BEARING RETAINER	1	PC.
050			267234-0	FLAT WASHER 8	1	PC.
051	2		210029-0	BALL BEARING 608ZZ	1	PC.
052			324212-4	RING 8	1	PC.

Item No	Type	Ref	Part No	Description	Qty	Unit
053			961011-9	STOP RING E-4	1	PC.
054			233342-9	COMPRESSION SPRING 6	1	PC.
055			345363-0	CHANGE PLATE	1	PC.
056	2		141574-3	INNER HOUSING COMPLETE	1	PC.
058			213407-3	O RING 26	1	PC.
059			213077-8	OIL SEAL 10	1	PC.
060			210059-1	BALL BEARING 6000DDW	1	PC.
061			267213-8	FLAT WASHER 10	1	PC.
062			240092-9	FAN 64	1	PC.
063			515286-8	ARMATURE ASS'Y 115V	1	PC.
		INC.		Item No. 60-62,64,65		
064	2		681670-0	INSULATION WASHER	1	PC.
065			210023-2	BALL BEARING 627DDW	1	PC.
066			267804-5	WAVE WASHER 15	1	PC.
067			266334-3	TAPPING SCREW 4X60	2	PC.
068			344871-8	RETAINER	2	PC.
069			419716-0	BUFFLE PLATE	1	PC.
070			626576-5	FIELD 115V	1	PC.
071			419718-6	MOTOR HOUSING	1	PC.
072			863533-4	HR2470F NAME PLATE	1	PC.
073	2		195001-2	CARBON BRUSH CB-325 2PC/SET (W/ ORIGIN)	1	SET
074			638500-6	BRUSH HOLDER UNIT	1	PC.
075			650589-4	SWITCH C3VA-2L	1	PC.
076			814961-6	HR2470F SERIAL NO. LABEL	1	PC.
077			682559-5	CORD GUARD 8	1	PC.
078			664895-1	CORD W/PLUG 2P-18-4.0M, SJ	1	PC.
079			687260-7	STRAIN RELIEF	1	PC.
080			266324-6	TAPPING SCREW 4X22	1	PC.
081			631745-5	LIGHT CIRCUIT	1	PC.
082			419717-8	HANDLE COVER	1	PC.
083			266324-6	TAPPING SCREW 4X22	1	PC.
084			266324-6	TAPPING SCREW 4X22	2	PC.
085			961017-7	STOP RING E-3	2	PC.
086			417796-0	GUIDE BASE	1	PC.
087			233344-5	COMPRESSION SPRING 4	2	PC.
088			266374-1	TAPPING SCREW 4X25	2	PC.
089			163430-7	LOCK PLATE COMPLETE	1	PC.
090			227179-4	SPUR GEAR 10	1	PC.
091			941102-2	FLAT WASHER 5	1	PC.
092			892830-1	CLEAR LABEL	1	PC.
093			892829-6	CLEAR LABEL	1	PC.

ACCESSORIES

- See catalogue or visit www.makita.ca for optional accessory -

A01			324219-0	DEPTH GAUGE	1	PC.
A02			824799-1	PLASTIC CARRYING CASE	1	PC.
		INC.	324319-6	SHAFT	1	PC.
		INC.	417724-5	LATCH	2	PC.
		INC.	419216-0	HANDLE	1	PC.
A03	2		123100-0	TOOL HOLDER ASS'Y	1	PC.
		INC.		Item No. 20-23,25,27-33		
A04	2		195263-2	HAMMER SERVICE KIT (TYPE 2)	1	SET
		INC.	195127-0	MAKITA GREASE RB NO.00 30G	2	PC.
		INC.	213073-6	O RING 9	1	PC.

Item No	Type	Ref	Part No	Description	Qty	Unit
		INC.	213227-5	O RING 16	1	PC.
		INC.	216022-2	STEEL BALL 7.0	1	PC.
		INC.	233917-4	RING SPRING 28	1	PC.
		INC.	286263-4	CAP 35	1	PC.
		INC.	421955-0	CUSHION RING 13	1	PC.
A05			194582-3	GRIP BASE SET	1	PC.
		INC.	122809-1	SPACER 20 ASSY	1	PC.
		INC.	419975-6	GRIP BASE 20	1	PC.
		INC.	921919-9	HEX BOLT M8X10	1	PC.
A07			805452-8	HR2470F PLASTIC CASE LABEL	1	PC.
A08			421755-8	WATERPROOF COVER F/ WET TYPE DIAMOND CORE BIT	1	PC.

